

MNML26立式铁辊米机

MNML26立式铁辊碾米机是根据用户的需要，借鉴国内外米机的优点和经验，经过精心设计、研制开发、优化完善的新型立式铁辊碾米机，是大型碾米企业理想的配套设备。

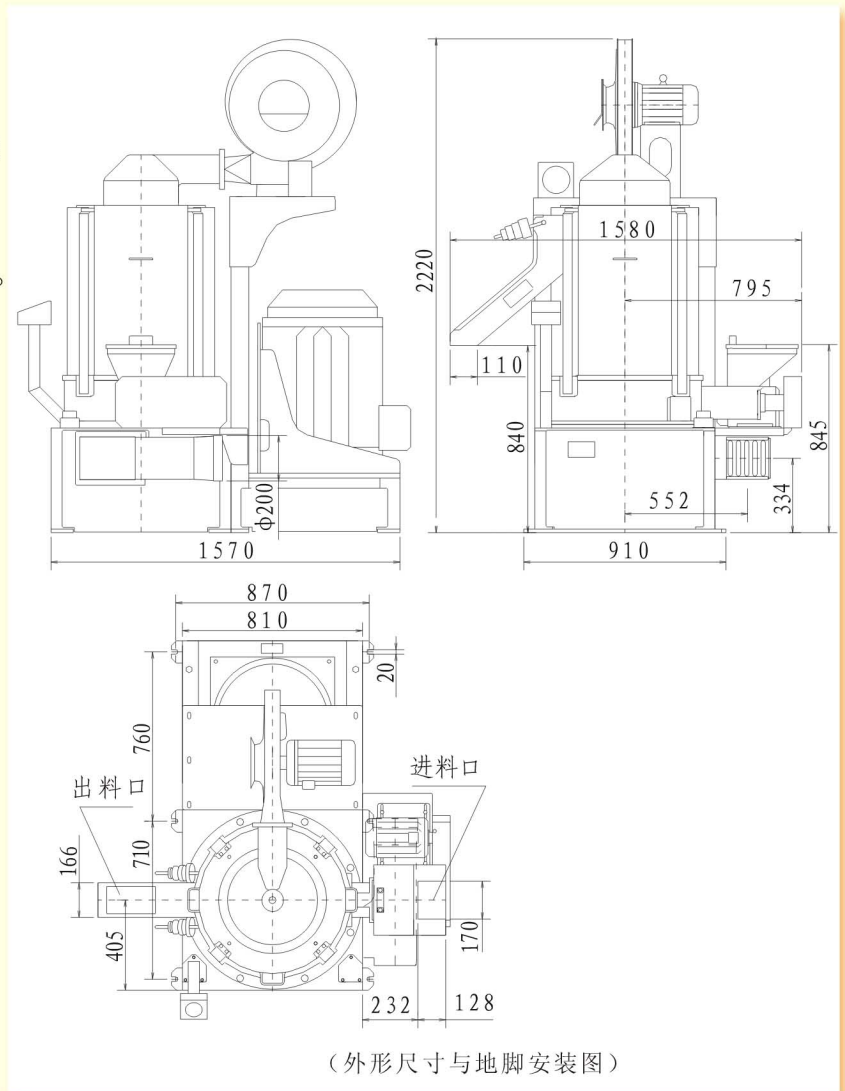
特点

- 采用绞龙强制进料，流量稳定，增碎少；
- 装有电流和负压显示装置，多位风门调节装置，使用方便可靠。
- 国际名牌元件配置，性能可靠。
- 碾米机内的耐磨件采用先进工艺制造，耐用少维修。
- 配备多种电机带轮，以适应加工不同品种的大米。
- 可选择多方位进料和出料，配套方便快捷。

In the light of the market demands, using the advantages of domestic and overseas whiteners for Reference, MNML26 VERTICAL IRON ROLL RICE WHITENER is designed elaborately and is ideal equipment for large rice milling plant.

Feature

- Use auger to feed forcibly, thereby having Steady output, less broken rice increment.
- Equip with current and adjustable negative pressure indicator, easy to operate.
- Adopt some parts of international brand, more durable.
- Wear parts made by advanced technology are more durable and less maintenance.
- With many kinds of motor pulleys, it can be used for different varieties of paddy.
- It has several options in feeding and discharging position, convenient to configure.



主要技术参数

型号Type	MNML26	
处理量Output (t/h)	5~7	
动力配备 (kw) Power	主电机 Main Power	45~55
	进料绞笼电机 Auger Power	1.5
	喷风风机电机 Turbo fan Power	2.2
外形尺寸Dimensions (mm) L×W×H	1570X1580X2200	
机重 (不含电机) Weight (kg)	≈1290	

通过ISO9001国际标准质量体系认证

E-mail: yongxiangmiji@sohu.com <http://www.hbyxlj.com>

地址：湖北省安陆市府河大道8号

ADD: 8 FUHE AVE. ANLU CITY, HUBEI, CHINA

电话(TEL): 0712-5254443 5254445 5258762 传真(FAX): 0712-5254443 邮编(POSTCODE): 432600